



# Product Specifications

## Bedford Fiberglass Crossover

### **Disclaimer**

BEDFORD REINFORCED PLASTICS INC. disclaims liability for any personal injury, property or other damages of any nature whatsoever, whether special, indirect, consequential or compensatory, directly or indirectly resulting from the publication, use of, or reliance on BEDFORD REINFORCED PLASTICS INC. documents. BEDFORD REINFORCED PLASTICS INC. also makes no guaranty or warranty as to the accuracy or completeness of any information published herein. Anyone using this document should rely on his or her own independent judgment or, as appropriate, seek the advice of a competent professional in determining the exercise of reasonable care in any given circumstances.

# Product Specifications

## BRP Fiberglass Crossover

### Scope

This specification covers the details about the design criteria, product description, fabrication and shipping of BRP standard fiberglass crossover.

### Design Criteria

BRP fiberglass crossover has been designed to provide a comfortable and safe walk over any obstructions such as ductwork, conveyors, etc. BRP fiberglass crossovers are designed to carry a safely moving load of 1000 lb. This crossover is equipped with BRP fiberglass handrails for added support.

### Fiberglass Crossover

BRP fiberglass crossover is designed to build up to a maximum clearance height of 3'3" from the ground with a footprint of 9.25' x 2.2'. BRP PROForms® channels are being used as structural members for stringers and landing respectively. Stairs are 23" wide with comfortable rise and run at 50° angle to horizontal. The landings for the crossover and stair treads shall be BRP PROGrid® non-skid square grid grating products. The handrails provided are fiberglass standard square tubes connected to the stringers and landing. All the fasteners used in this design shall be series 300 stainless steel.

### Product Description

All the fiberglass components used for BRP crossover are made with the pultrusion process using fiberglass reinforcement and resin

systems necessary to meet the design requirements and minimum properties given in Table 1 and other properties published in the BRP Design Manual.

*Glass Reinforcements:* Pultruded structural shapes used for BRP fiberglass crossover shall have the fiber reinforcement in the form of continuous rovings and continuous strand mat for adequate mechanical and physical properties and surface veil for UV protection and corrosion resistance.

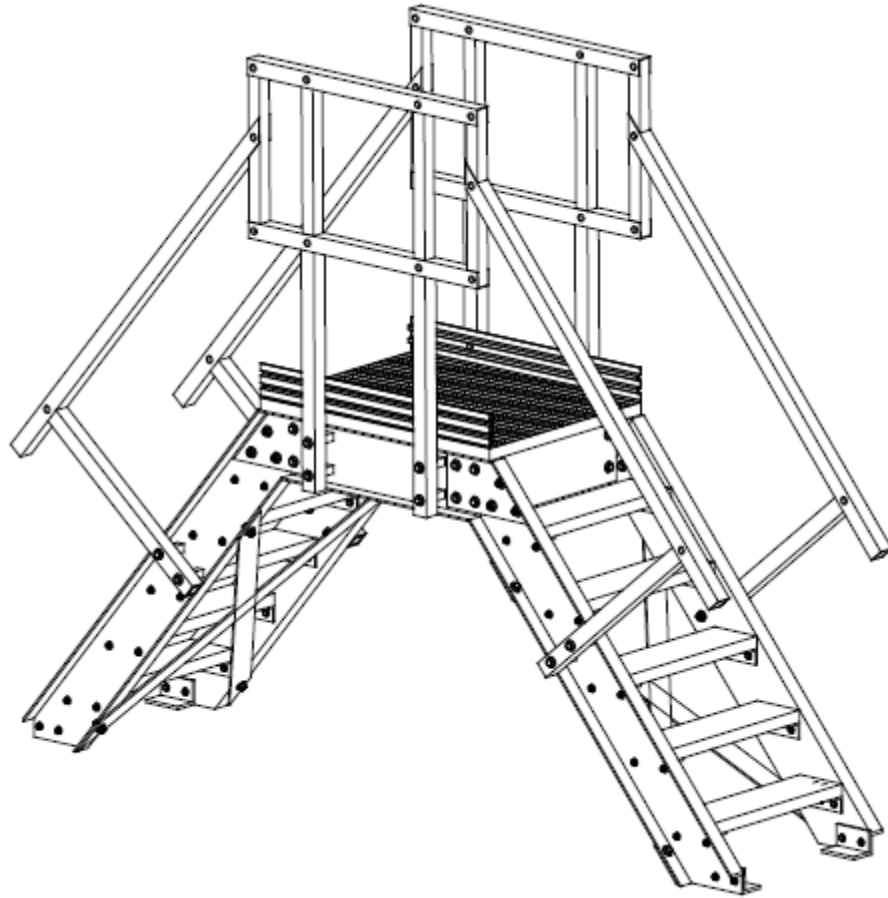
*Resin Systems:* Resin systems used in BRP fiberglass crossover provide superior corrosion resistance and are available in Standard and FR Iso-Polyester and Vinylester resin systems with additives for superior fire resistance, UV protection and pigments.

**Table 1. Minimum Properties**

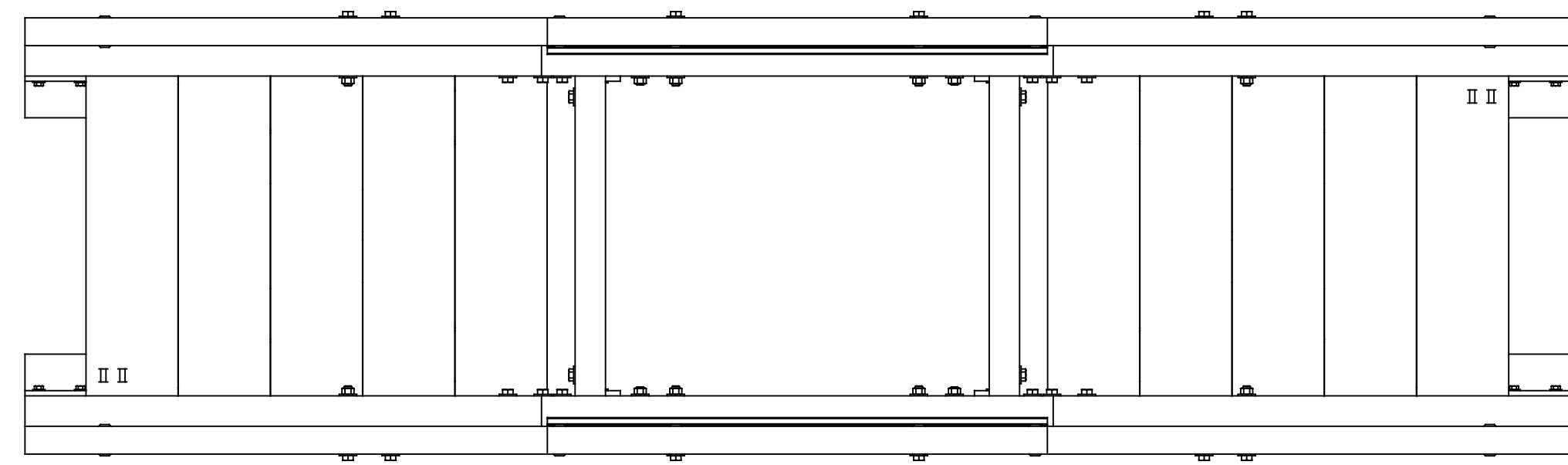
Property	ASTM	Value
Tensile Strength, psi	D 638	30000
Tensile Modulus, psi	D 638	2.5 x10 <sup>6</sup>
Flexural Strength, psi	D 790	30000
Flexural Modulus, psi	D 790	1.8 x10 <sup>6</sup>
Short Beam Shear, psi	D 2344	4500
Full Section Modulus, psi	N/A	2.8 x10 <sup>6</sup>
Density, lb/in <sup>3</sup>	D 792	0.062-0.07
Flame Spread	E 84	25 or less

### Fabrication, Shipping and Handling

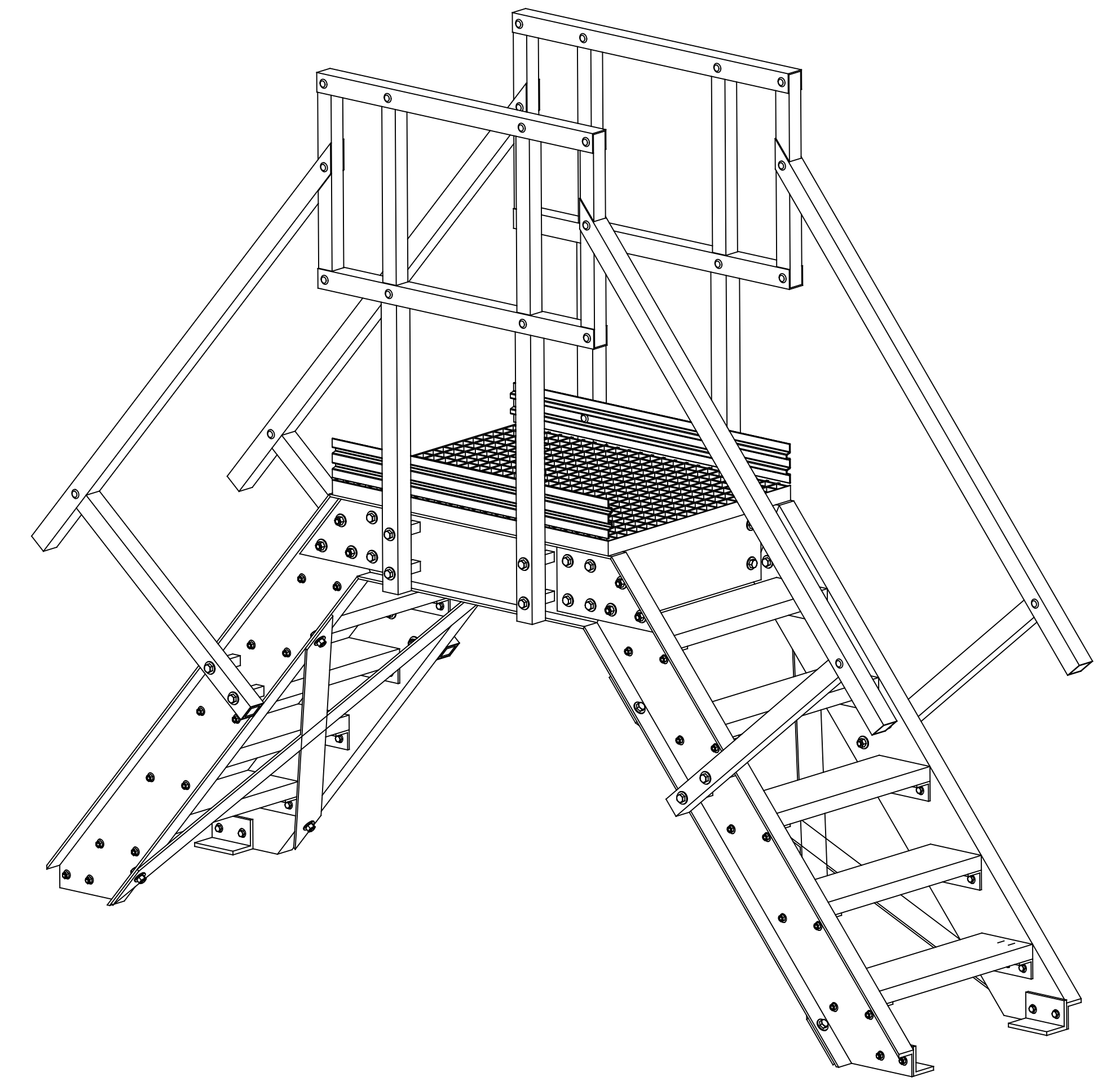
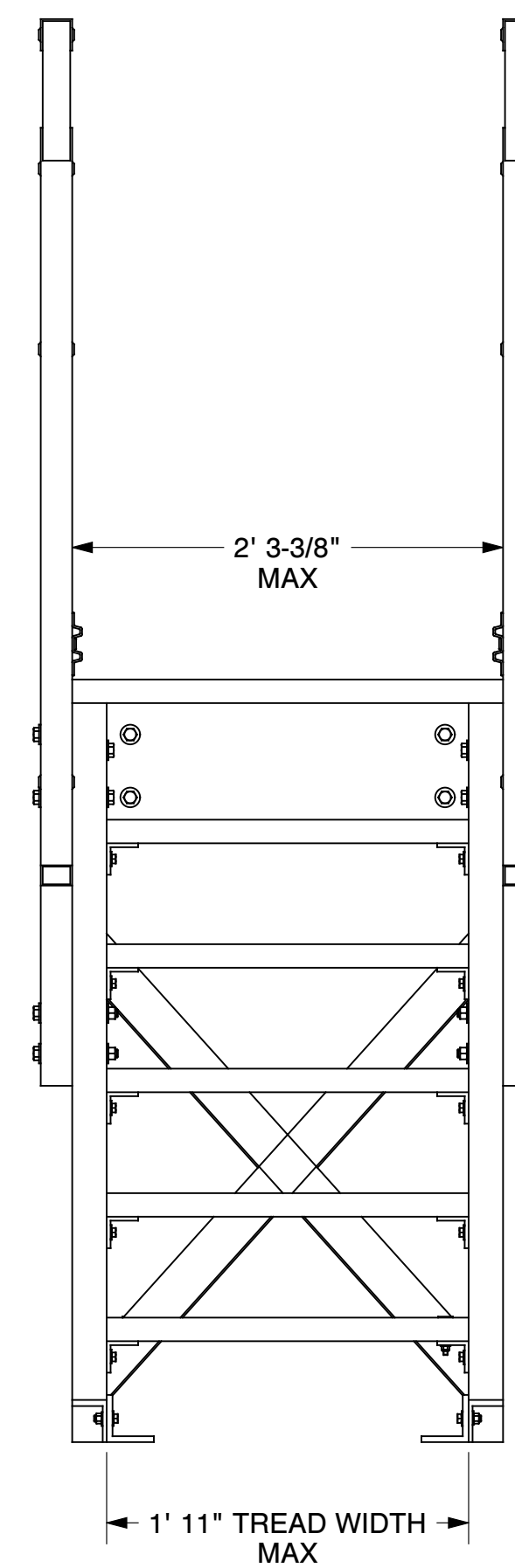
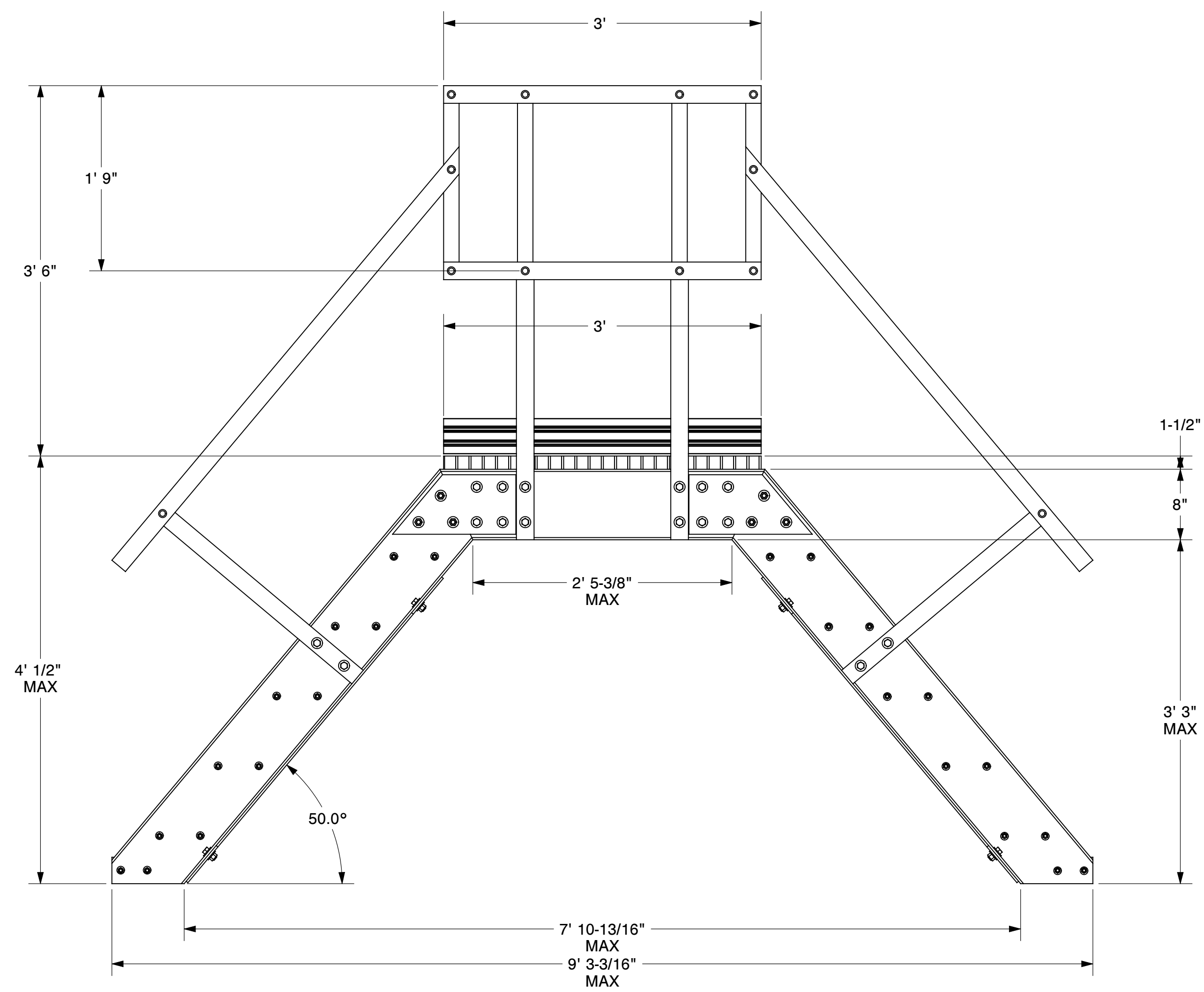
BRP shall be responsible for the design, fabrication and delivery of assembled crossover or prefabricated components ready for assembly to the project site, and these items have to be installed as per the directions of the approved assembly drawing or design engineer.



**Typical BRP Standard Fiberglass Crossover**



GRATING NOT SHOWN FOR CLARITY



ISOMETRIC VIEW



THIS DRAWING IS THE CONFIDENTIAL PROPERTY OF BEDFORD REINFORCED PLASTICS, INC. AND MUST NOT BE MADE PUBLIC OR COPIED, AND IS SUBJECT TO RETURN ON DEMAND. ALL RIGHTS OF INVENTION OR DESIGN ARE RESERVED.

TOLERANCES	DRAWN	BB	TITLE
X/Y: ± 1/16	CHECKED	AEC	CROSS OVER STAIRS
.XX: ± .030	APPROVED		JOB
.XXX: ± .010	DATE:	5-15-14	DRAWING NO. CROSSOVER STAIRS
ANG: ± 0.5°	REF.	SCALE:	3/32" = 1" SHEET 1 OF 2

01	BB	3/27/14	REMOVED ANGLE DIAGONAL BRACE, ADDED FLAT STRIP BRACE
REV.	BY	DATE	DESCRIPTION